

## Spherical Washers / Conical Seats• DIN 6319

23050.0110

### Product Description



#### Material

##### Conical seat

- Case-hardened steel, case-hardened, manganese phosphate treated

#### Assembly

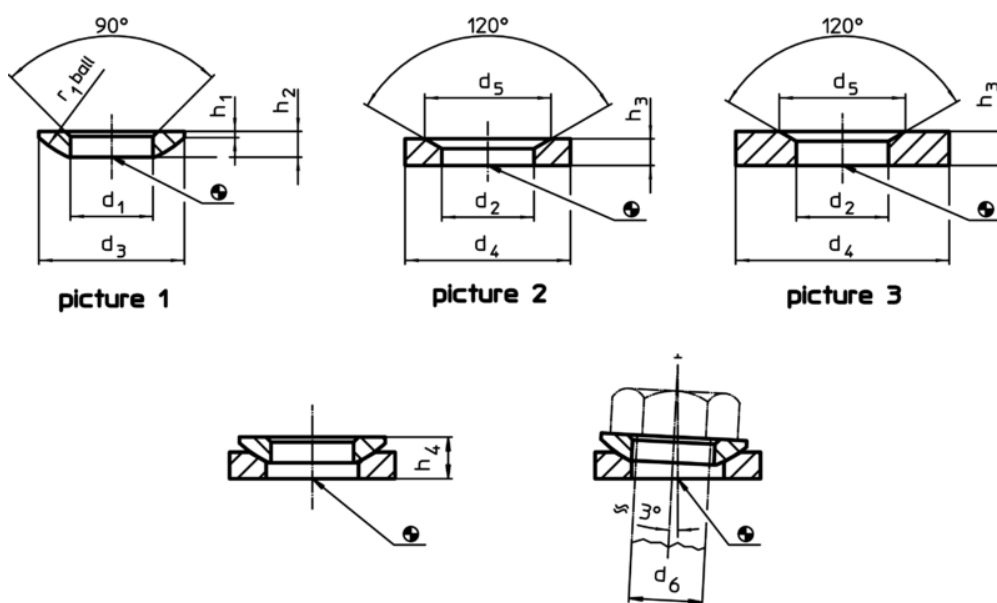
Conical seats form D are to be used only for plain, closed round areas.  
For larger holes only use form G!

#### More information

#### Further products

- Spherical Washers / Conical Seats, similar to DIN 6319, stainless steel
- Fixture Nuts, DIN 6330 (height 1,5 d)

### Drawing



### Order information

d <sub>2</sub> H13	Dimensions			For pin d <sub>6</sub> [mm]	For screws d <sub>6</sub> [mm]	Load capacity for static load max. [kN]	Torque for screwed connections <sup>1)</sup> max. [Nm]	Art. No.
	d <sub>4</sub>	d <sub>5</sub>	h <sub>3</sub>					
	[mm]							
conical seats from case-hardened steel, form D – picture 2								
12	21	18,5	4,2	10	M10	26	46	23050.0110

<sup>1)</sup> Torques of screws 8.8, eventual pre-loads to be considered, coefficient of friction  $\mu_{total}$  0,14.

Application example

