

## Spherical Washers / Conical Seats• DIN 6319

23050.0030

### Product Description



#### Material

##### Spherical washer

- Case-hardened steel, case-hardened, manganese phosphate treated

#### Assembly

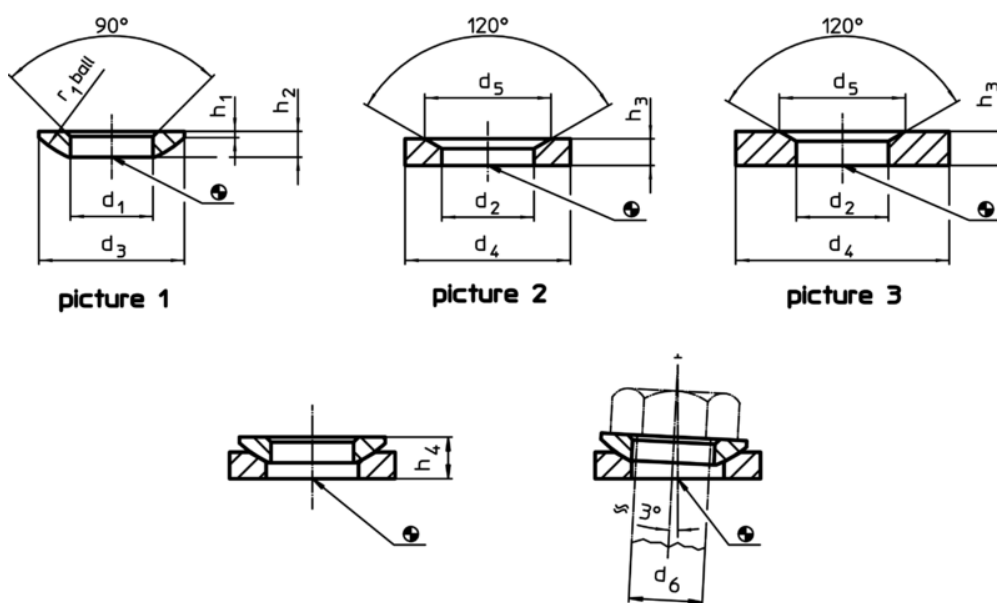
Conical seats form D are to be used only for plain, closed round areas.  
For larger holes only use form G!

#### More information

#### Further products

- Spherical Washers / Conical Seats, similar to DIN 6319, stainless steel
- Fixture Nuts, DIN 6330 (height 1,5 d)

### Drawing



### Order information

d <sub>1</sub> H13	d <sub>3</sub>	h <sub>1</sub>	Dimensions				r <sub>1</sub>	For pin d <sub>6</sub>	For screws d <sub>6</sub>	Load capacity for static load max.	Torque for screwed connections <sup>1)</sup> max.	Art. No.
			h <sub>2</sub>	with conical seat form D	with conical seat form G	h <sub>4</sub>						
[mm]												
spherical washers from case-hardened steel, form C – picture 1												
31	56	3,6	11,2	19,2	19,7	41	30	M30	269	1355	101	23050.0030

<sup>1)</sup> Torques of screws 8.8, eventual pre-loads to be considered, coefficient of friction  $\mu_{total}$  0,14.

Application example

