

Spherical Washers / Conical Seats • DIN 6319

23050.0024

Product Description



Material

Spherical washer

- Case-hardened steel, case-hardened, manganese phosphate treated

Assembly

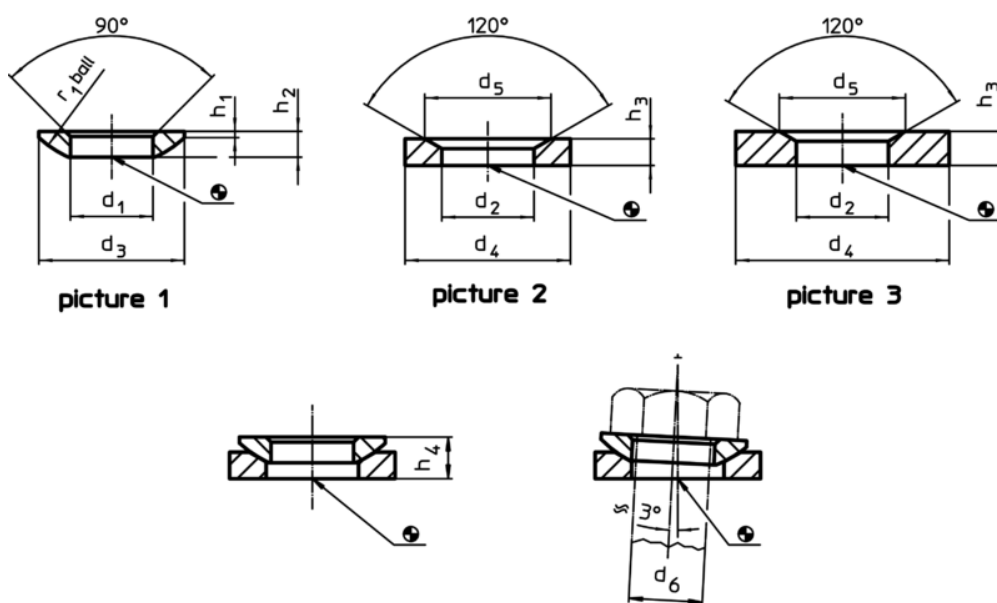
Conical seats form D are to be used only for plain, closed round areas.
For larger holes only use form G!

More information

Further products

- Spherical Washers / Conical Seats, similar to DIN 6319, stainless steel
- Fixture Nuts, DIN 6330 (height 1,5 d)

Drawing



Order information

| d ₁ H13 | d ₃ | h ₁ | Dimensions | | r ₁ | For pin d ₆ [mm] | For screws d ₆ [mm] | Load capacity for static load max. [kN] | Torque for screwed connections ¹⁾ max. [Nm] | [g] | Art. No. | |
|--|----------------|----------------|------------------------|--|----------------|-----------------------------------|--------------------------------------|--|---|-----|----------|------------|
| | | | h ₂ [mm] | h ₄ with conical seat form D ~ with conical seat form G ~ [mm] | | | | | | | | |
| spherical washers from case-hardened steel, form C – picture 1 | | | | | | | | | | | | |
| 25 | 44 | 2,4 | 8,2 | 15,2 | 15,7 | 32 | 24 | M24 | 168 | 698 | 45 | 23050.0024 |

¹⁾ Torques of screws 8.8, eventual pre-loads to be considered, coefficient of friction μ_{total} 0,14.

Application example

