

Spherical Washers / Conical Seats • DIN 6319

23050.0020

Product Description



Material

Spherical washer

- Case-hardened steel, case-hardened, manganese phosphate treated

Assembly

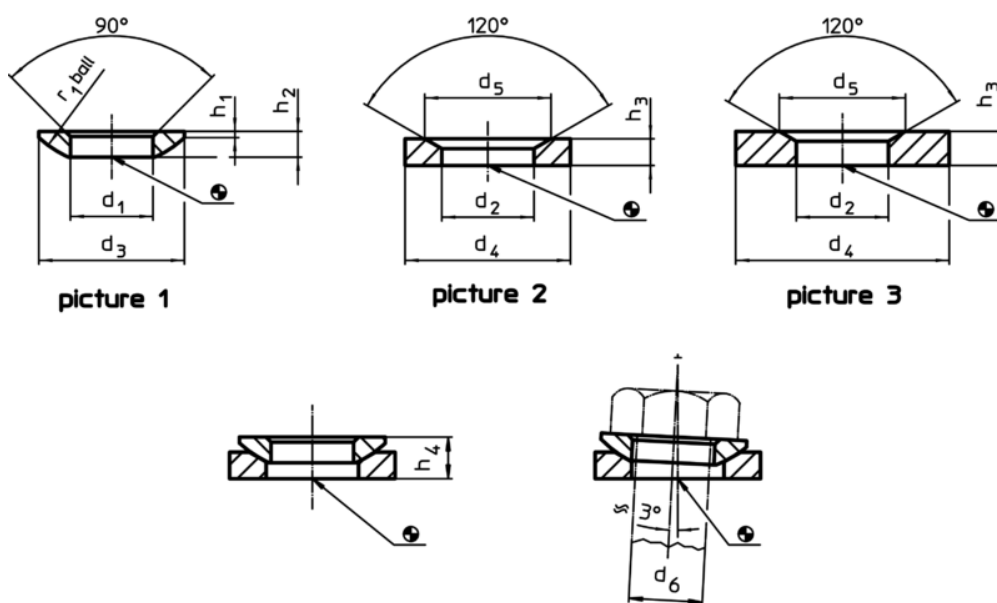
Conical seats form D are to be used only for plain, closed round areas.
For larger holes only use form G!

More information

Further products

- Spherical Washers / Conical Seats, similar to DIN 6319, stainless steel
- Fixture Nuts, DIN 6330 (height 1,5 d)

Drawing



Order information

d ₁	d ₃	h ₁	Dimensions				r ₁	For pin d ₆	For screws d ₆	Load capacity for static load max.	Torque for screwed connections ¹⁾ max.	Art. No.
			h ₂	with conical seat form D ~	with conical seat form G ~	h ₄						
[mm]												
H13												
spherical washers from case-hardened steel, form C – picture 1												
21	36	2	6,3	11,7	12,2	27	20	M20	117	407	23	23050.0020

¹⁾ Torques of screws 8.8, eventual pre-loads to be considered, coefficient of friction μ_{total} 0,14.

Application example

