

## Expander Sealing Plugs• body from stainless steel

22880.0055



### Product Description

Expander® sealing plugs are used for safe, quick and economic sealing of bore holes in fluid technology, e.g. hydraulic drilling holes in jig and fixture construction. Assembly is effected by pressing in the sealing plug into the drilling hole by means of the prescribed setting die.  
**Please refer to the technical data following these product information pages.**

### Material

#### Body

- Stainless steel 1.4305

#### Ball

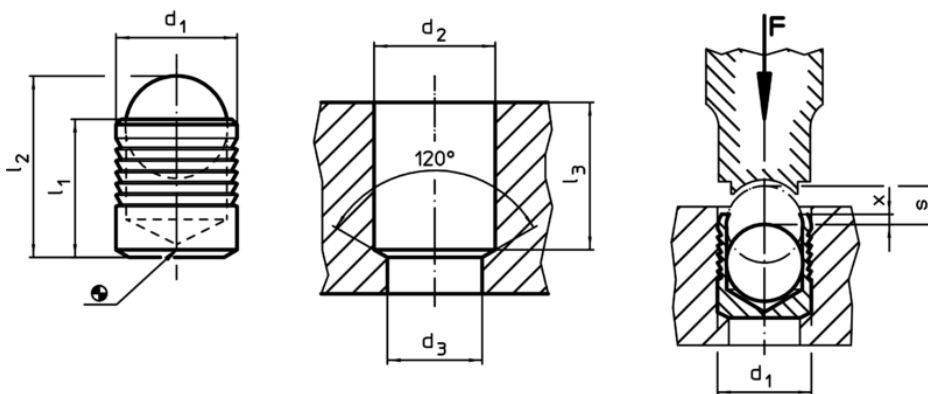
- Roller bearing steel, heat-treated, tempered

### More information

#### Further products

- Setting Dies, for Expander® Sealing Plug

### Drawing



### Order information

Dimensions								[g]	Art. No.
d <sub>1</sub>	l <sub>1</sub>	l <sub>2</sub> ~	d <sub>2</sub> +0,1	d <sub>3</sub> max.	l <sub>3</sub> min.	x ±0,2	s		
5	5,5	7	5	4,3	5,3	0,4	2	0,7	22880.0055

### Application example

Working and control pressures for Expander® sealing plug, sleeve from stainless steel 1.4305							
basic material	ETG-100 AISI 1144	C15Pb 1.0403	GG-25 DIN 1691	GGG-50 DIN 1693	AlCuMg2 3.1354	AlMgSiPb 3.0615	G-AISI7Mg 3.2371
d <sub>1</sub> 3-10 mm	p [bar]						
	450	450	450	450	450	380	380
d <sub>1</sub> 12-22 mm	pTest [bar]						
	1400	1400	1400	1400	1400	1200	1200