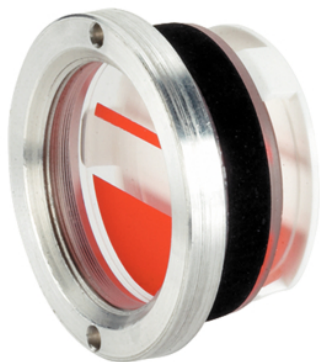


Oil-Sight Glasses

22860.0150



Product Description

Oil-sight glasses can be used for level control in tanks without excess pressure.

Material

Seal ring

- Resistant to oil and gasoline

Reflector

- Plastic, white

Ring nut

- Aluminium

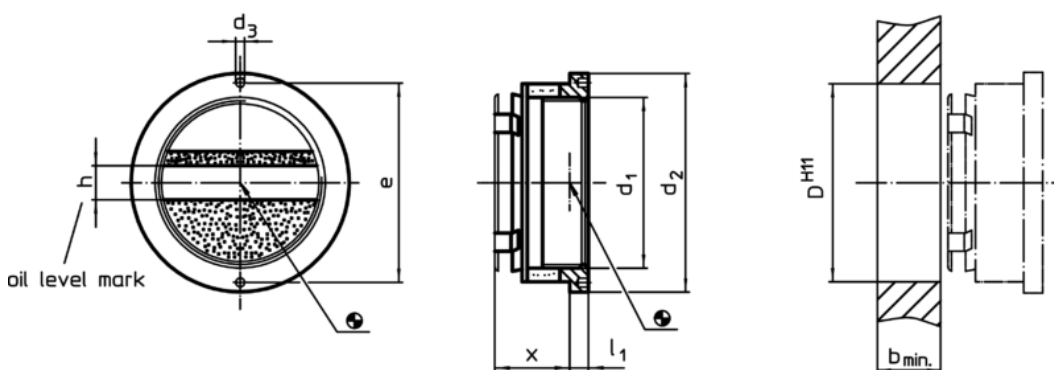
Oil-sight glass

- Plexiglass (PMMA) clear

Assembly

Can be fitted without thread in H11 borehole. Sealing by simply tightening the ring nut.

Drawing



Order information

Size (sight opening) d_1	Dimensions							Location hole D H11 [mm]	Temperature		Weight [g]	Art. No.
	d_2	d_3	x ~	l_1	b min.	h	e		min.	max.		
with oil level mark												
50	64	3	22	5,5	14	10	58,5	58	-20	70	86	22860.0150

Accessories

Size (sight opening) d_1	Dimensions		e	Weight [g]	Art. No.
	d h9 [mm]				
assembly tool					
50	2,8		58,5	49	22860.0850

Application example

