

## Oil-Sight Glasses

22860.0132



### Product Description

Oil-sight glasses can be used for level control in tanks without excess pressure.

#### Material

##### Seal ring

- Resistant to oil and gasoline

##### Reflector

- Plastic, white

##### Ring nut

- Aluminium

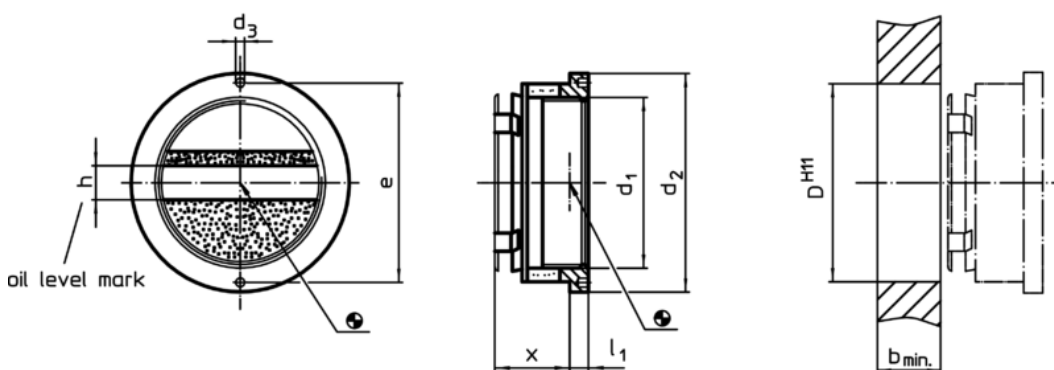
##### Oil-sight glass

- Plexiglass (PMMA) clear

#### Assembly

Can be fitted without thread in H11 borehole. Sealing by simply tightening the ring nut.

### Drawing



### Order information

Size (sight opening) $d_1$	Dimensions							Location hole D H11 [mm]	Temperature		Weight [g]	Art. No.
	$d_2$	$d_3$	$x$ ~ [mm]	$l_1$	b min.	h	e		min.	max.		
32	45	3	18	5,5	12	8	40	38	-20	70	33	22860.0132

### Accessories

Size (sight opening) $d_1$	Dimensions		Weight [g]	Art. No.
	d h9 [mm]	e		
32	2,8	40,0	36	22860.0832

assembly tool

Application example

