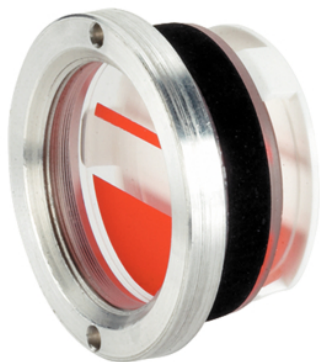


Oil-Sight Glasses

22860.0122



Product Description

Oil-sight glasses can be used for level control in tanks without excess pressure.

Material

Seal ring

- Resistant to oil and gasoline

Reflector

- Plastic, white

Ring nut

- Aluminium

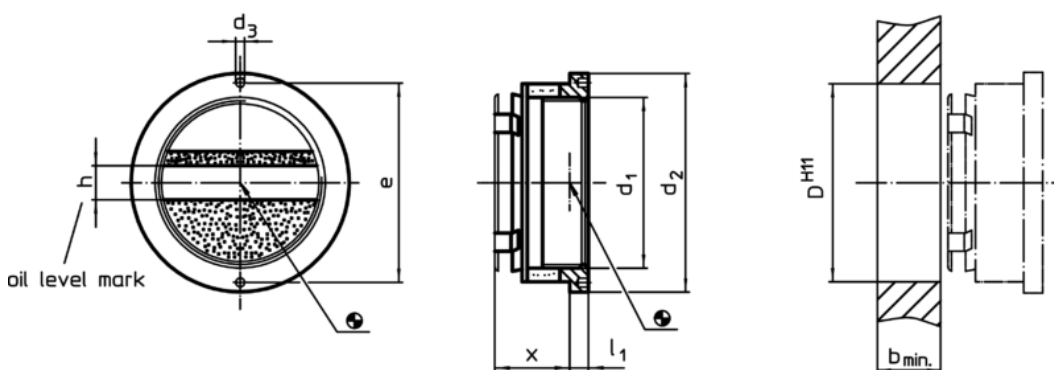
Oil-sight glass

- Plexiglass (PMMA) clear

Assembly

Can be fitted without thread in H11 borehole. Sealing by simply tightening the ring nut.

Drawing



Order information

Size (sight opening) d_1	Dimensions							Location hole D H11 [mm]	Temperature		Weight [g]	Art. No.
	d_2	d_3	x ~ [mm]	l_1	b min.	h	e		min.	max.		
with oil level mark												
22	35	3	15	4,5	10	6	30	28	-20	70	18	22860.0122

Accessories

Size (sight opening) d_1	Dimensions		e	Weight [g]	Art. No.
	d h9 [mm]				
assembly tool					
22	2,8		30,0	30	22860.0822

Application example

