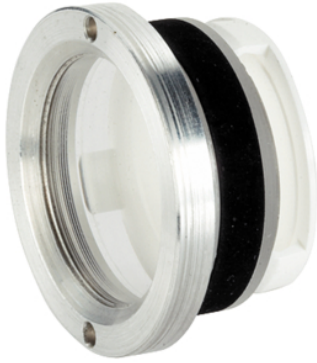


Oil-Sight Glasses

22860.0032



Product Description

Oil-sight glasses can be used for level control in tanks without excess pressure.

Material

Seal ring

- Resistant to oil and gasoline

Reflector

- Plastic, white

Ring nut

- Aluminium

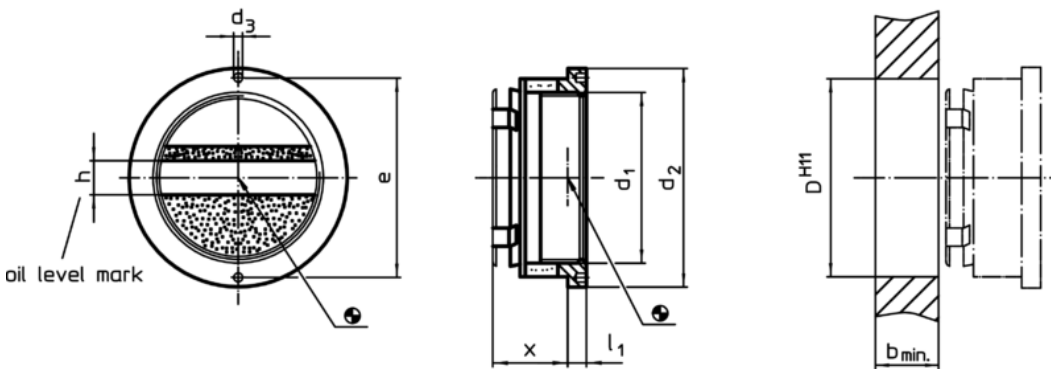
Oil-sight glass

- Plexiglass (PMMA) clear

Assembly

Can be fitted without thread in H11 borehole.
Sealing by simply tightening the ring nut.

Drawing



Order information

Size (sight opening) d ₁	Dimensions						Location hole D H11 [mm]	Temperature		Weight [g]	Art. No.
	d ₂	d ₃	x ~ [mm]	l ₁	b min.	e		min.	max. [°C]		
without oil level mark											
32	45	3	18	5,5	12	40	38	-20	70	33	22860.0032

Accessories

Size (sight opening) d ₁	Dimensions		e	Weight [g]	Art. No.
	d h9 [mm]				
assembly tool					
32	2,8		40,0	36	22860.0832

Application example

