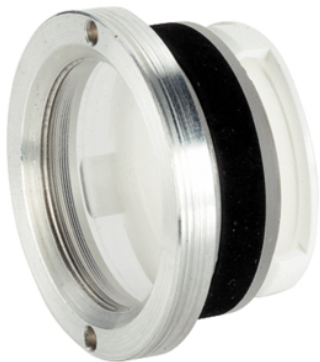


Oil-Sight Glasses

22860.0016



Product Description

Oil-sight glasses can be used for level control in tanks without excess pressure.

Material

Seal ring

- Resistant to oil and gasoline

Reflector

- Plastic, white

Ring nut

- Aluminium

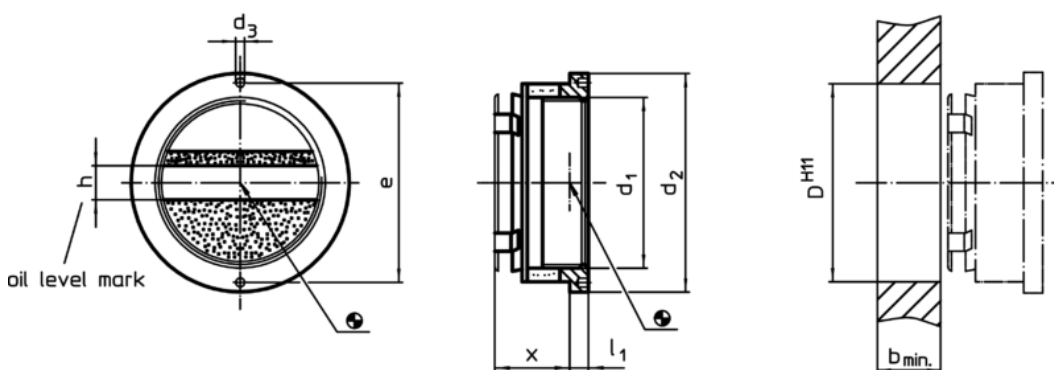
Oil-sight glass

- Plexiglass (PMMA) clear

Assembly

Can be fitted without thread in H11 borehole. Sealing by simply tightening the ring nut.

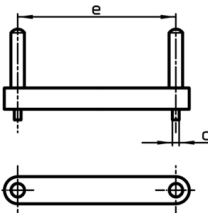
Drawing



Order information

Size (sight opening) d_1	Dimensions						Location hole D H11 [mm]	Temperature		Weight [g]	Art. No.
	d_2	d_3	x ~ [mm]	l_1	b min.	e		min.	max.		
without oil level mark											
16	25	2,2	15	3,5	9	21	20	-20	70	9	22860.0016

Accessories

Size (sight opening) d_1	Dimensions		e	Weight [g]	Art. No.
	d h9 [mm]				
assembly tool					
	16	2,0	21,0	16	22860.0816

Application example

