

Tolerance Rings

22750.0076

Product Description

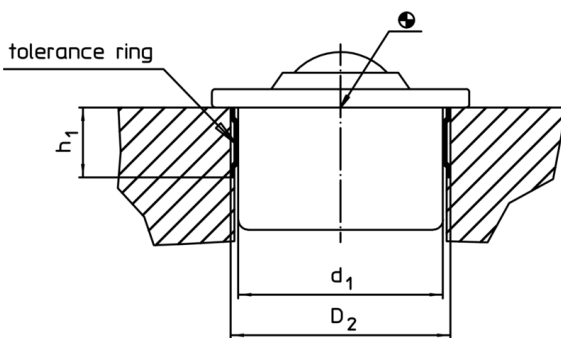
The use of tolerance rings (for ball casters with sheet steel housing) allows larger tolerances between the parts to be connected.

Material

- Spring steel strip



Drawing



Order information

d ₁	Dimensions		Location hole		Art. No.
		h ₁ +0,2	D ₂ +0,3		
62	[mm]	15,1	[mm]	64,1	22750.0076

Application example

