

## Tolerance Rings

22750.0062

### Product Description

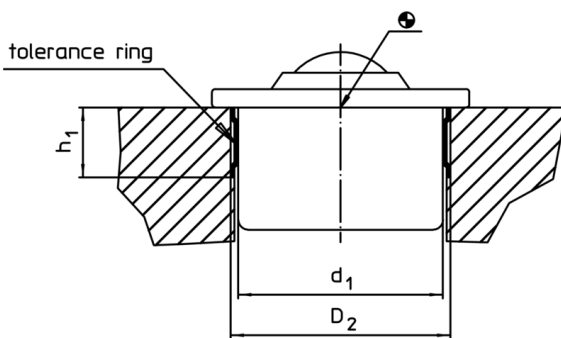
The use of tolerance rings (for ball casters with sheet steel housing) allows larger tolerances between the parts to be connected.

### Material

- Spring steel strip



### Drawing



### Order information

d <sub>1</sub>	Dimensions		Location hole D <sub>2</sub> +0,2 [mm]	[g]	Art. No.
		h <sub>1</sub> +0,2			
18	[mm]	6,1	19,7	0,9	22750.0062

### Application example

