

## Tolerance Rings

22750.0060

### Product Description

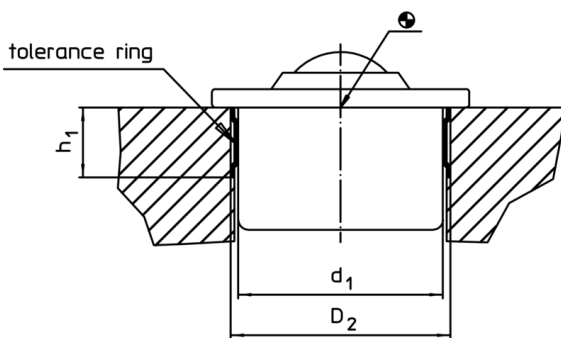
The use of tolerance rings (for ball casters with sheet steel housing) allows larger tolerances between the parts to be connected.

### Material

- Spring steel strip



### Drawing



### Order information

Dimensions		Location hole		[g]	Art. No.
$d_1$	$h_1$ +0,2 [mm]	$D_2$ +0,15 [mm]			
12,6	6,1	13,87		0,4	22750.0060

### Application example

