

Ball Casters with sheet steel housing

22750.0020



Product Description

Ball casters are module for transport systems, conveyances, to working and packing facilities. For example, parts can be easily moved, turned and controlled. As from $d_1 = 36$ fitted with an oil drenched felt seal to protect against dirt.

Material

Cap

- Steel, zinc-plated by galvanization

Housing

- Steel, zinc-plated by galvanization

Ball

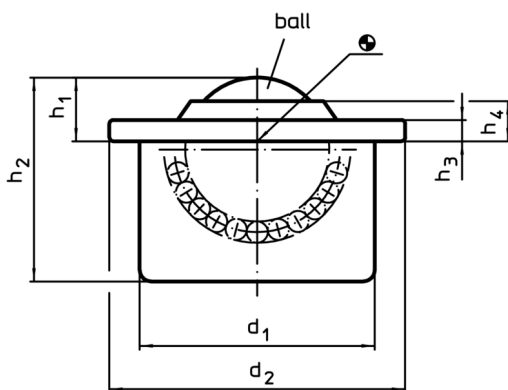
- Stainless steel

More information

Further products

- Tolerance Rings

Drawing



Order information

d_1 $\pm 0,055$	Ball \emptyset	d_2	Dimensions				Carrying figure C [N]	Location hole $D_1^{1)}$ +0,03 [mm]	[g]	Art. No. ²⁾
			h_1 $\pm 0,15$ [mm]	h_2	h_3	h_4				
all parts zinc-plated, ball from stainless steel										
12,6	8	17	4,8	11,2	1,8	3,2	70	12,57	7	22750.0020

¹⁾ Reference value for 2 mm sheet steel/ 5 mm aluminium (force fit)

²⁾ without felt seal

Application example

