

Ball Casters with sheet steel housing

22750.0000



Product Description

Ball casters are module for transport systems, conveyances, to working and packing facilities. For example, parts can be easily moved, turned and controlled. As from $d_1 = 36$ fitted with an oil drenched felt seal to protect against dirt.

Material

Cap

- Steel, zinc-plated by galvanization

Housing

- Steel, zinc-plated by galvanization

Ball

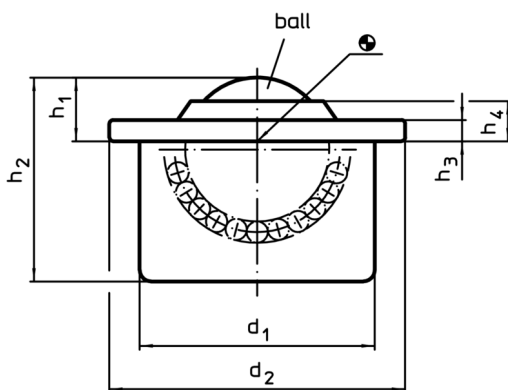
- Ball-bearing steel

More information

Further products

- Tolerance Rings

Drawing



Order information

| d_1 $\pm 0,055$ | Ball \emptyset | d_2 | Dimensions | | | | Carrying figure C [N] | Location hole $D_1^{1)}$ +0,03 [mm] | [g] | Art. No. ²⁾ |
|-----------------------------|---------------------|-------|-----------------------------|-------|-------|-------|--------------------------|--|-----|------------------------|
| | | | h_1 $\pm 0,15$ [mm] | h_2 | h_3 | h_4 | | | | |
| cap and housing zinc-plated | | | | | | | | | | |
| 12,6 | 8 | 17 | 4,8 | 11,2 | 1,8 | 3,2 | 100 | 12,57 | 7 | 22750.0000 |

¹⁾ Reference value for 2 mm sheet steel/ 5 mm aluminium (force fit)

²⁾ without felt seal

Application example

