

Seating Pins • adjustable

22690.0632



Product Description

The adjustable seating pins can be used as seats and stops.

Material

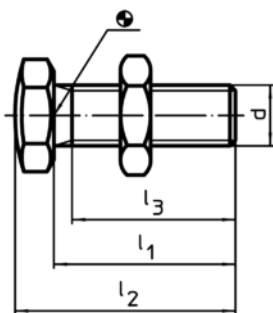
Seating Pins

- Heat-treated steel, tempered, quality 10.9, blackened / surface induction hardened

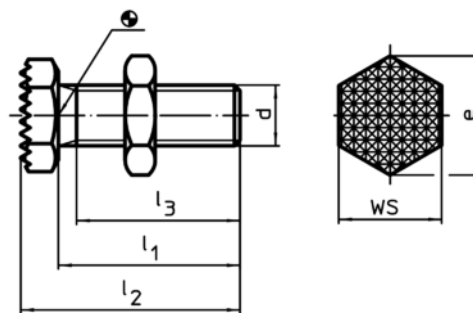
Nut

- Heat-treated steel, tempered, quality 8.8 (ISO 4035), blackened

Drawing




picture 1



picture 2

Order information

| d | l ₁ ±1,5 | Dimensions | | | e | WS [mm] |  [g] | Art. No. |
|----------------------------|------------------------|------------------------|------------------------|------|----|------------|--|----------|
| | | l ₂ ±1,5 | l ₃ min. | [mm] | | | | |
| ribbed surface – picture 2 | | | | | | | | |
| M12 | 35 | 42 | 29,7 | 21,9 | 19 | 49 | 22690.0632 | |

Application example

