

## Seating Pins • adjustable

22690.0630



### Product Description

The adjustable seating pins can be used as seats and stops.

### Material

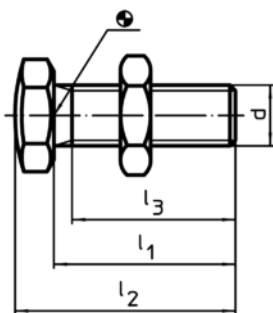
#### Seating Pins

- Heat-treated steel, tempered, quality 10.9, blackened / surface induction hardened

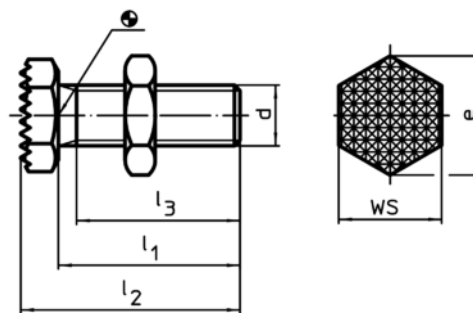
#### Nut

- Heat-treated steel, tempered, quality 8.8 (ISO 4035), blackened

### Drawing




picture 1



picture 2

### Order information

d	l <sub>1</sub> ±1,5	Dimensions			e	WS [mm]	 [g]	Art. No.
		l <sub>2</sub> ±1,5	l <sub>3</sub> min.	[mm]				
<b>ribbed surface – picture 2</b>								
M10	30	36	25,5	19,6	17	32	22690.0630	

Application example

