

Seating Pins • adjustable

22690.0626



Product Description

The adjustable seating pins can be used as seats and stops.

Material

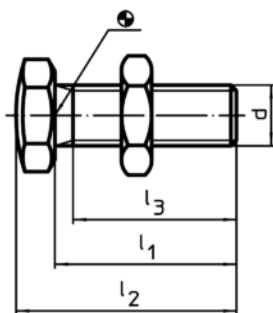
Seating Pins

- Heat-treated steel, tempered, quality 10.9, blackened / surface induction hardened

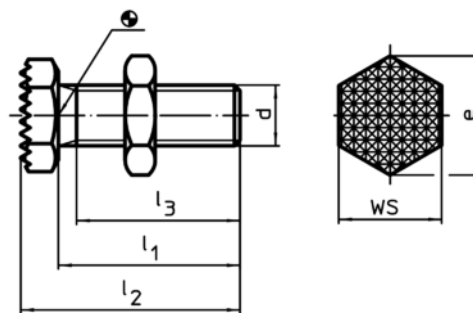
Nut

- Heat-treated steel, tempered, quality 8.8 (ISO 4035), blackened

Drawing




picture 1



picture 2

Order information

d	l ₁ ±1,5	Dimensions			e	WS [mm]	 [g]	Art. No.
		l ₂ ±1,5 [mm]	l ₃ min.					
ribbed surface – picture 2								
M6	20	23,5	19		11,5	10	6,7	22690.0626

Application example

