

Seating Pins • adjustable

22690.0610



Product Description

The adjustable seating pins can be used as seats and stops.

Material

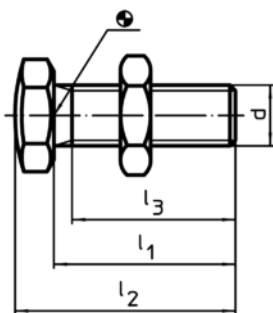
Seating Pins

- Heat-treated steel, tempered, quality 10.9, blackened / surface induction hardened

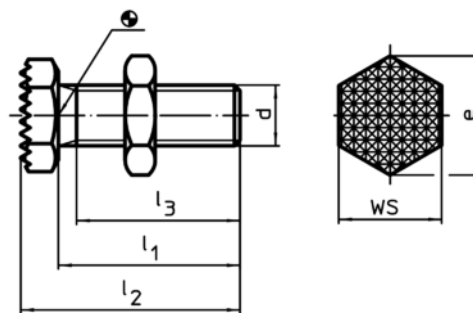
Nut

- Heat-treated steel, tempered, quality 8.8 (ISO 4035), blackened

Drawing



picture 1



picture 2

Order information

d	l ₁ ±1,5	Dimensions			e	WS [mm]	[g]	Art. No.
		l ₂ ±1,5	l ₃ min.	[mm]				
spherical surface – picture 1								
M10	30	36	25,5	19,6	17	31	22690.0610	

Application example

