

Seating Pins• ribbed or pointed

22680.0188



Product Description

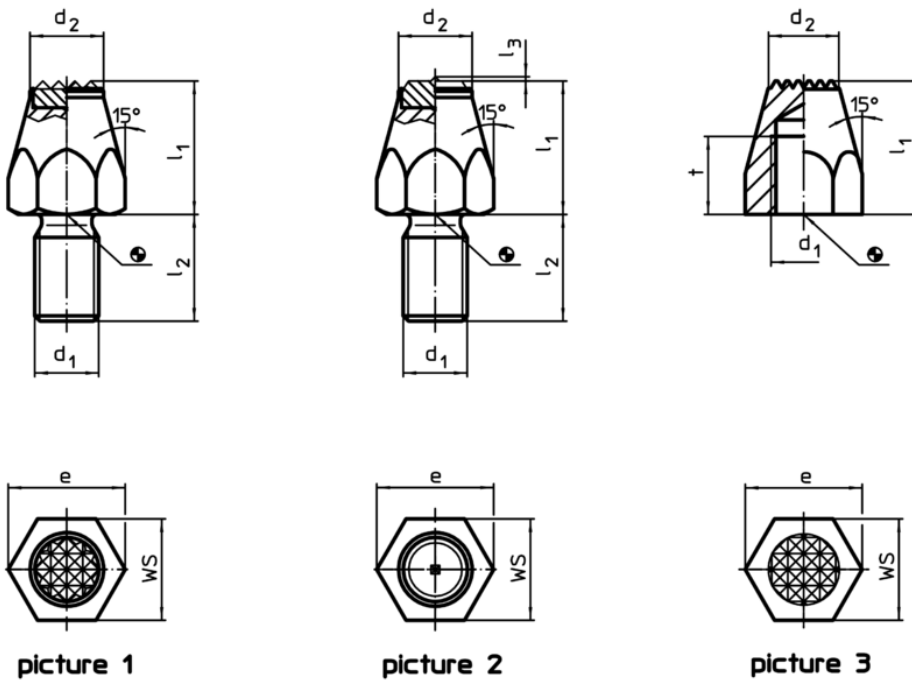
For workpieces showing a rough surface. Pointed type especially suitable for cast parts.

Material

Body

- Free cutting steel, case-hardened, blackened

Drawing



Order information

l ₁	d ₁	Dimensions			e	WS	Tightening torque max. [Nm]	[g]	Art. No.
		t	d ₂	[mm]					
case-hardened, ribbed, with female thread – picture 3									
40	M12	15	13	21,9	19	60	69	22680.0188	

Application example

