

## Locating Pins with ball end

22630.0676



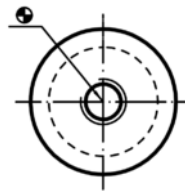
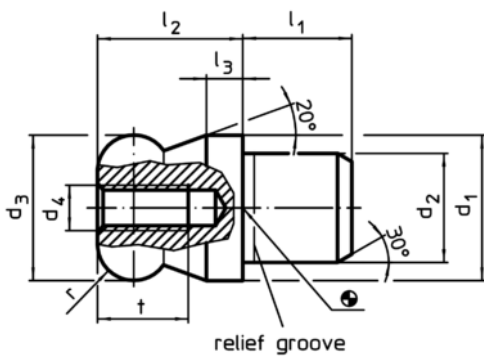
### Product Description

Ball ended locating pins facilitate easy inserting and removing avoiding clamping inclination.

### Material

- Stainless steel 1.4305, ground, surface heat-treated

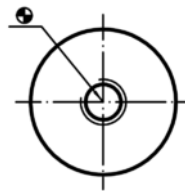
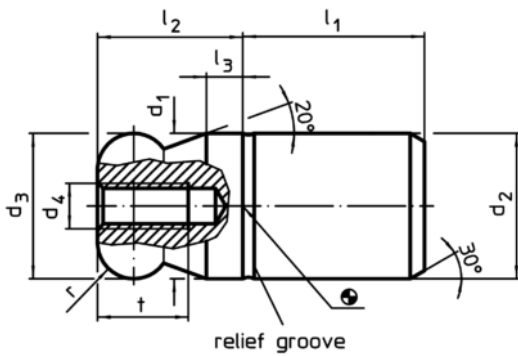
### Drawing



picture 1



picture 2



picture 3



picture 4

### Order information

| d <sub>1</sub>  | d <sub>2</sub> | d <sub>3</sub> | d <sub>4</sub> | Dimensions     |                |                |    |   |     | Location hole<br>H7 | [g]  | Art. No.   |  |
|---|----------------|----------------|----------------|----------------|----------------|----------------|----|---|-----|---------------------|------|------------|--|
|   |                |                |                | l <sub>1</sub> | l <sub>2</sub> | l <sub>3</sub> | t  | r | b   |                     |      |            |  |
| g6  | n6             | -0,01<br>-0,05 |                |                |                |                |    |   |     |                     | [mm] | [g]        |  |
| with ball end flattened, not stepped – picture 4, Stainless steel |                |                |                |                |                |                |    |   |     |                     |      |            |  |
| 16  | 16             | 16             | M5             | 20             | 16             | 4              | 10 | 4 | 4,3 | 16                  | 44   | 22630.0676 |  |

Application example

