

## Locating Pins with ball end

22630.0670



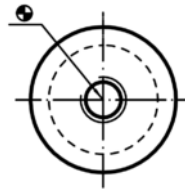
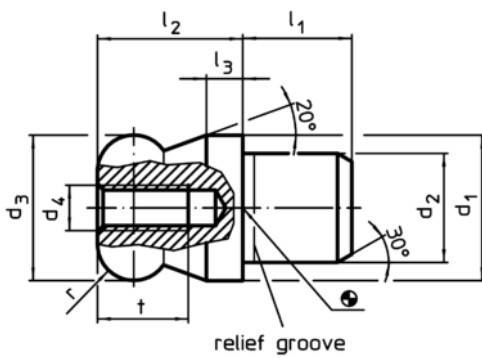
### Product Description

Ball ended locating pins facilitate easy inserting and removing avoiding clamping inclination.

### Material

- Stainless steel 1.4305, ground, surface heat-treated

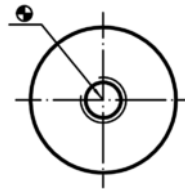
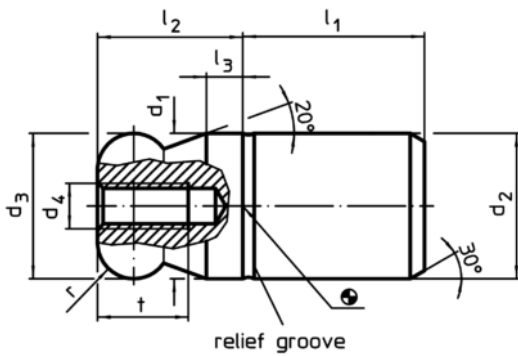
### Drawing



picture 1



picture 2



picture 3



picture 4

### Order information

Dimensions										Location hole	Art. No.	
d <sub>1</sub>	d <sub>2</sub>	d <sub>3</sub>	d <sub>4</sub>	l <sub>1</sub>	l <sub>2</sub>	l <sub>3</sub>	t	r	b	H7		
g6	n6	-0,01 -0,05										
[mm]										[mm]	[g]	
with ball end flattened, not stepped – picture 4, Stainless steel												
10	10	10	M3	13	10	2,5	6	2,5	2,5	10	11	22630.0670

Application example

