

Locating Pins with ball end

22630.0668



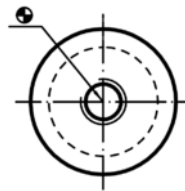
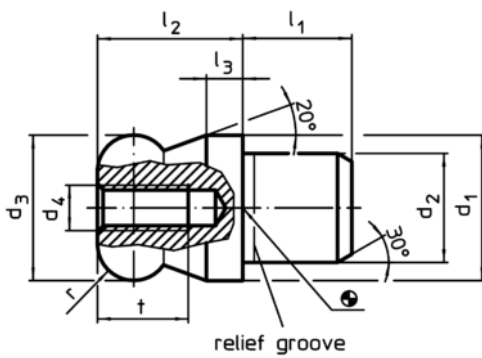
Product Description

Ball ended locating pins facilitate easy inserting and removing avoiding clamping inclination.

Material

- Stainless steel 1.4305, ground, surface heat-treated

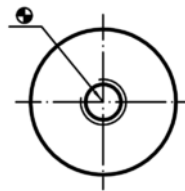
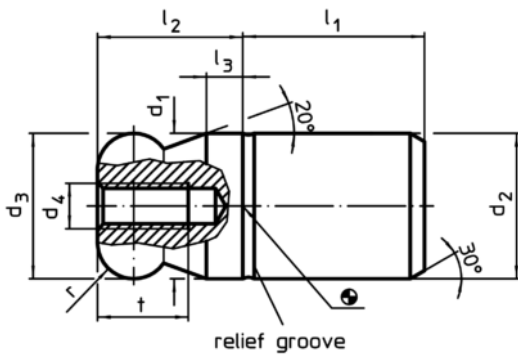
Drawing



picture 1



picture 2



picture 3



picture 4

Order information

Dimensions										Location hole	[g]	Art. No.	
d ₁	d ₂	d ₃	d ₄	l ₁	l ₂	l ₃	t	r	b	H7			
g6	n6	-0,01 -0,05									[mm]	[g]	
with ball end flattened, not stepped – picture 4, Stainless steel													
8	8	8	M3	10	8	2	6	2	1,9	8	5	22630.0668	

Application example

