

Locating Pins with ball end

22630.0640



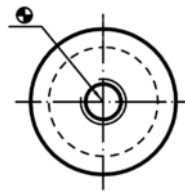
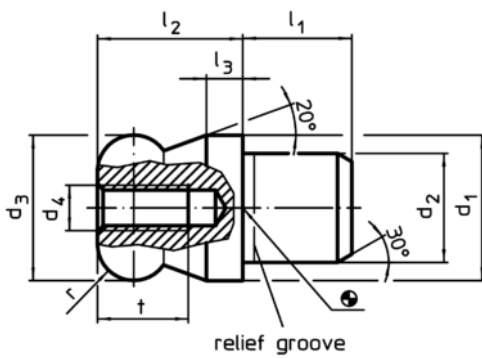
Product Description

Ball ended locating pins facilitate easy inserting and removing avoiding clamping inclination.

Material

- Tool steel, hardened, blackened and ground

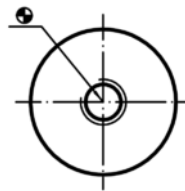
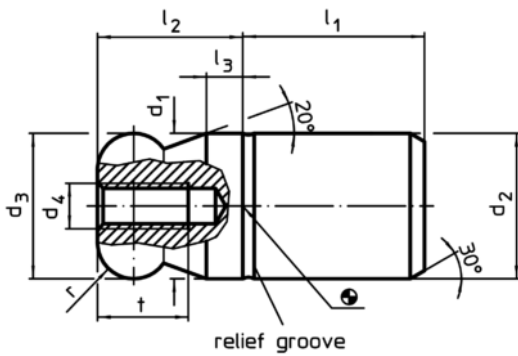
Drawing



picture 1



picture 2



picture 3



picture 4

Order information

Dimensions										Location hole	[g]	Art. No.	
d ₁	d ₂	d ₃	d ₄	l ₁	l ₂	l ₃	t	r	b	H7			
g6	n6	-0,01 -0,05									[mm]		
with ball end flattened, not stepped – picture 4, Tool steel													
40	40	40	M6	40	40	10	12	10	12,8	40	657	22630.0640	

Application example

