

## Locating Pins with ball end

22630.0630



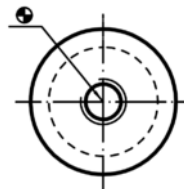
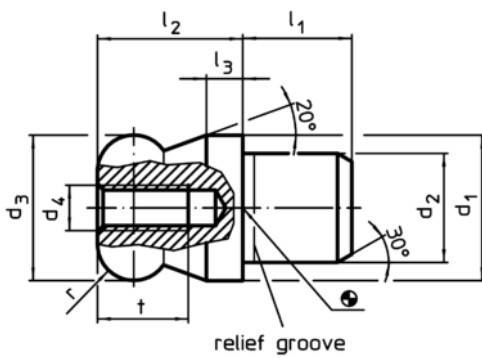
### Product Description

Ball ended locating pins facilitate easy inserting and removing avoiding clamping inclination.

### Material

- Tool steel, hardened, blackened and ground

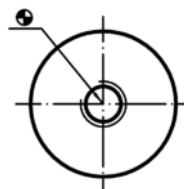
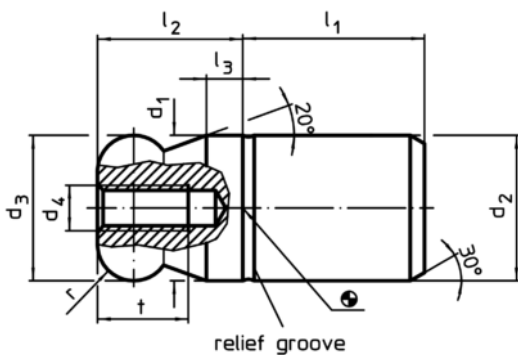
### Drawing



picture 1



picture 2



picture 3



picture 4

### Order information

Dimensions										Location hole	Art. No.	
d <sub>1</sub>	d <sub>2</sub>	d <sub>3</sub>	d <sub>4</sub>	l <sub>1</sub>	l <sub>2</sub>	l <sub>3</sub>	t	r	b	H7		
g6	n6	-0,01 -0,05										
[mm]										[mm]	[g]	
with ball end flattened, not stepped – picture 4, Tool steel												
30	30	30	M6	30	30	8	12	8	8,8	30	270	22630.0630

Application example

