

Locating Pins with ball end

22630.0625



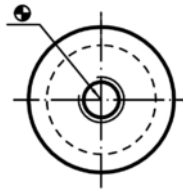
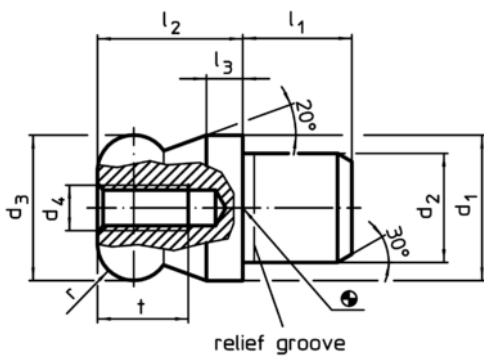
Product Description

Ball ended locating pins facilitate easy inserting and removing avoiding clamping inclination.

Material

- Tool steel, hardened, blackened and ground

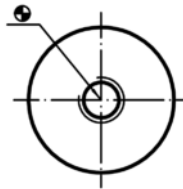
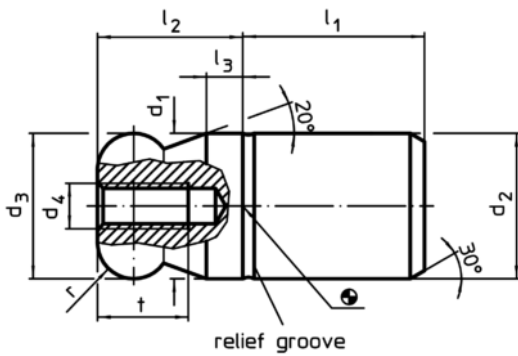
Drawing



picture 1



picture 2



picture 3



picture 4

Order information

Dimensions										Location hole	Art. No.	
d ₁	d ₂	d ₃	d ₄	l ₁	l ₂	l ₃	t	r	b	H7		
g6	n6	-0,01 -0,05										
[mm]										[mm]	[g]	
with ball end flattened, not stepped – picture 4, Tool steel												
25	25	25	M5	25	25	6	10	6	5,6	25	149	22630.0625

