

Locating Pins with ball end

22630.0620



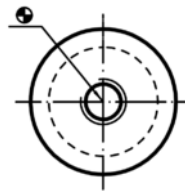
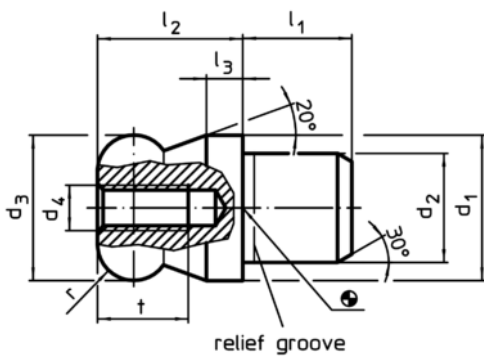
Product Description

Ball ended locating pins facilitate easy inserting and removing avoiding clamping inclination.

Material

- Tool steel, hardened, blackened and ground

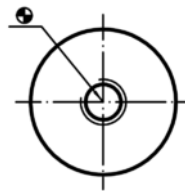
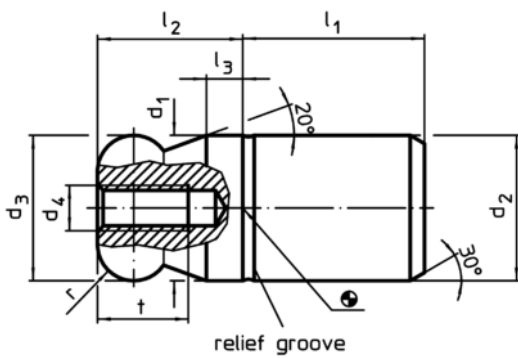
Drawing



picture 1



picture 2



picture 3



picture 4

Order information

d ₁	d ₂	d ₃	d ₄	Dimensions						Location hole H7	[g]	Art. No.
				l ₁	l ₂	l ₃	t	r	b			
g6	n6	-0,01 -0,05		[mm]	[mm]	[mm]	[mm]	[mm]	[mm]	[mm]	[g]	
with ball end flattened, not stepped – picture 4, Tool steel												
20	20	20	M5	25	20	5	10	5	5	20	88	22630.0620

Application example

