

Locating Pins with ball end

22630.0616



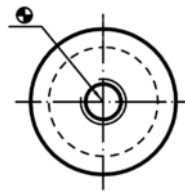
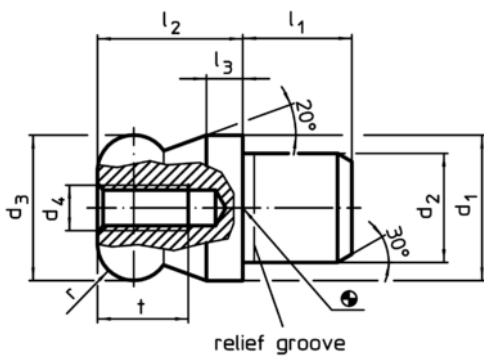
Product Description

Ball ended locating pins facilitate easy inserting and removing avoiding clamping inclination.

Material

- Tool steel, hardened, blackened and ground

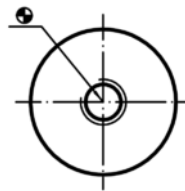
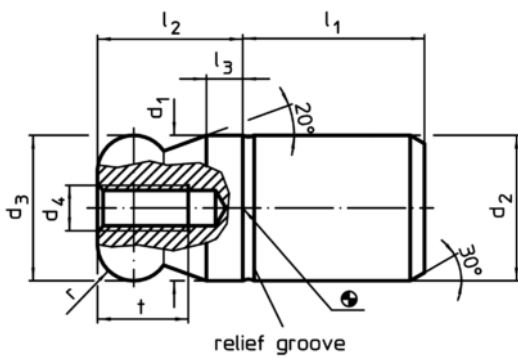
Drawing



picture 1



picture 2



picture 3



picture 4

Order information

d ₁	d ₂	d ₃	d ₄	Dimensions						Location hole H7	[g]	Art. No.	
				l ₁	l ₂	l ₃	t	r	b				
g6	n6	-0,01 -0,05									[mm]	[g]	
with ball end flattened, not stepped – picture 4, Tool steel													
16	16	16	M5	20	16	4	10	4	4,3	16	44	22630.0616	

Application example

