

## Locating Pins with ball end

22630.0580



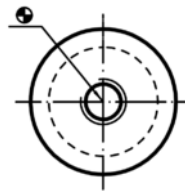
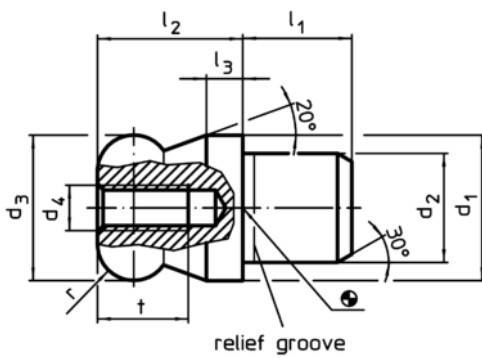
### Product Description

Ball ended locating pins facilitate easy inserting and removing avoiding clamping inclination.

### Material

- Stainless steel 1.4305, ground, surface heat-treated

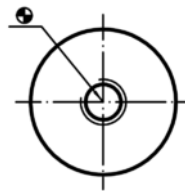
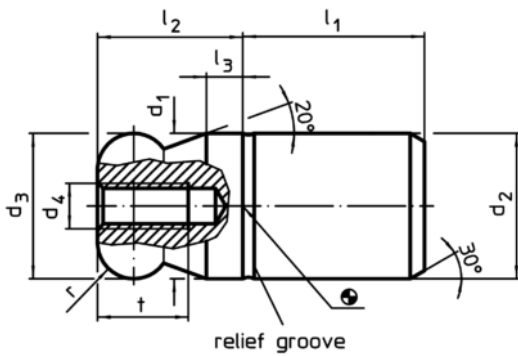
### Drawing



picture 1



picture 2



picture 3



picture 4

### Order information

Dimensions										Location hole	[g]	Art. No.
d <sub>1</sub>	d <sub>2</sub>	d <sub>3</sub>	d <sub>4</sub>	l <sub>1</sub>	l <sub>2</sub>	l <sub>3</sub>	t	r	H7			
g6	n6	-0,01 -0,05										
[mm]										[mm]		
with ball end plain, not stepped – picture 3, Stainless steel												
20	20	20	M5	25	20	5	10	5	20	101	22630.0580	

Application example

