

Locating Pins with ball end

22630.0530



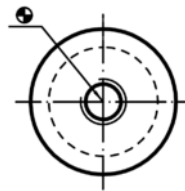
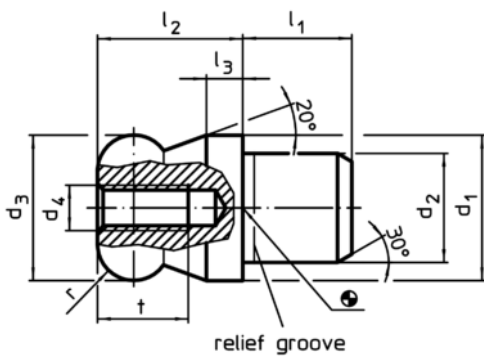
Product Description

Ball ended locating pins facilitate easy inserting and removing avoiding clamping inclination.

Material

- Tool steel, hardened, blackened and ground

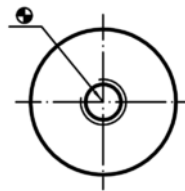
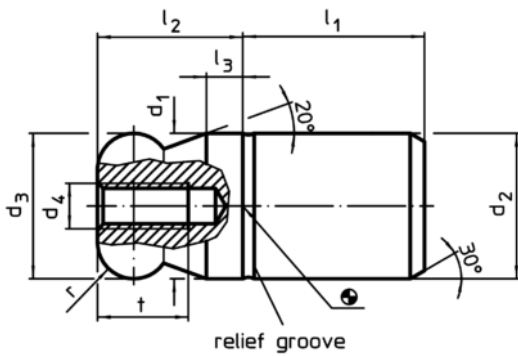
Drawing



picture 1



picture 2



picture 3



picture 4

Order information

Dimensions										Location hole	Art. No.
d ₁	d ₂	d ₃	d ₄	l ₁	l ₂	l ₃	t	r	H7	[g]	
g6	n6	-0,01 -0,05									
[mm]										[mm]	
with ball end plain, not stepped – picture 3, Tool steel											
30	30	30	M6	30	30	8	12	8	30	307	22630.0530

Application example

