

## Locating Pins with ball end

22630.0525



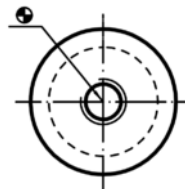
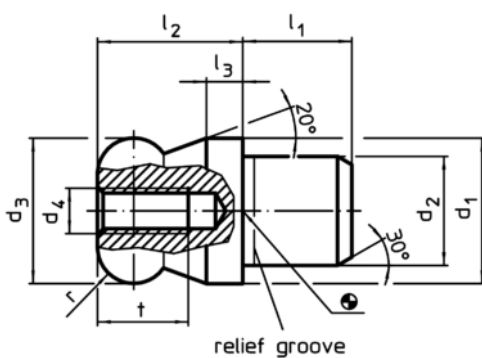
### Product Description

Ball ended locating pins facilitate easy inserting and removing avoiding clamping inclination.

### Material

- Tool steel, hardened, blackened and ground

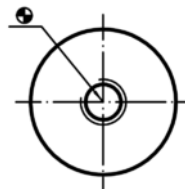
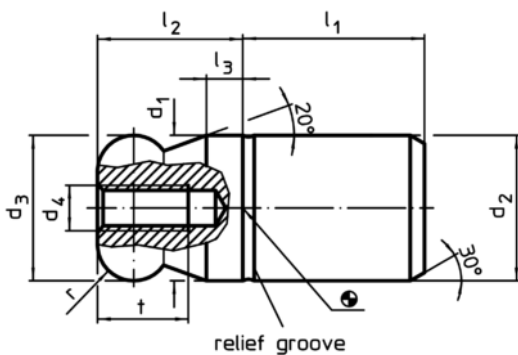
### Drawing



picture 1



picture 2



picture 3



picture 4

### Order information

d <sub>1</sub>	d <sub>2</sub>	d <sub>3</sub>	d <sub>4</sub>	Dimensions						Location hole H7	[g]	Art. No.	
				l <sub>1</sub>	l <sub>2</sub>	l <sub>3</sub>	t	r	[mm]				
g6	n6	-0,01 -0,05											
with ball end plain, not stepped – picture 3, Tool steel													
25	25	25	M5	25	25	6	10	6	25	176	22630.0525		

Application example

