

## Locating Pins with ball end

22630.0510



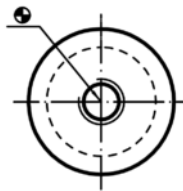
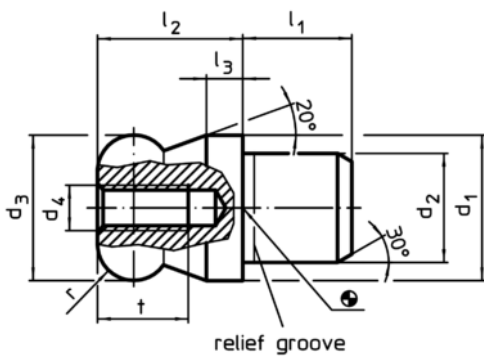
### Product Description

Ball ended locating pins facilitate easy inserting and removing avoiding clamping inclination.

### Material

- Tool steel, hardened, blackened and ground

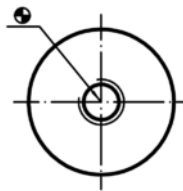
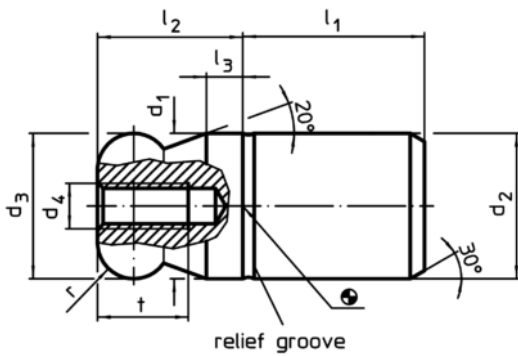
### Drawing



picture 1



picture 2



picture 3



picture 4

### Order information

d <sub>1</sub>	d <sub>2</sub>	d <sub>3</sub>	d <sub>4</sub>	Dimensions					Location hole H7		Art. No.	
				l <sub>1</sub>	l <sub>2</sub>	l <sub>3</sub>	t	r				
g6	n6	-0,01 -0,05										
				[mm]					[mm]	[g]		
with ball end plain, not stepped – picture 3, Tool steel												
10	10	10	M3	13	10	2,5	6	2,5	10	12	22630.0510	

Application example

