

Locating Pins with ball end

22630.0460



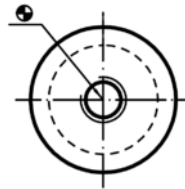
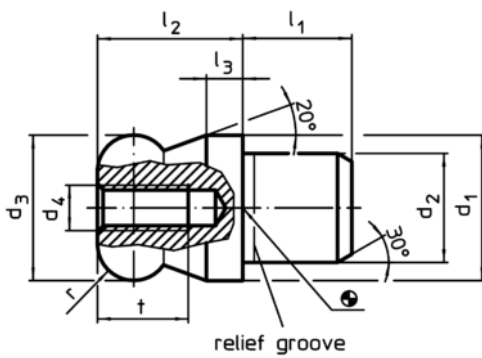
Product Description

Ball ended locating pins facilitate easy inserting and removing avoiding clamping inclination.

Material

- Stainless steel 1.4305, ground, surface heat-treated

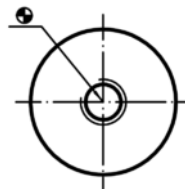
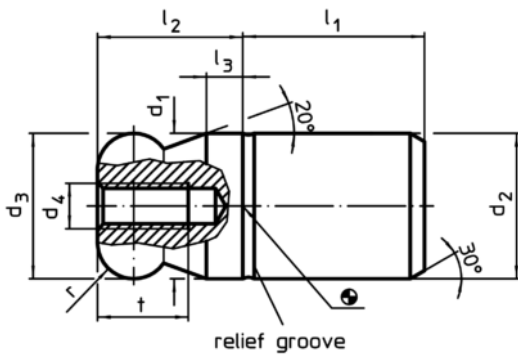
Drawing



picture 1



picture 2



picture 3



picture 4

Order information

d ₁	d ₂	d ₃	d ₄	Dimensions						Location hole H7	[g]	Art. No.	
				l ₁	l ₂	l ₃	t	r	b				
g6	n6	-0,01 -0,05									[mm]		
with ball end flattened – picture 2, Stainless steel													
20	14	20	M5	14	20	5	10	5	5	14	46	22630.0460	

Application example

