

## Locating Pins with ball end

22630.0456



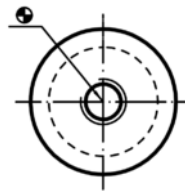
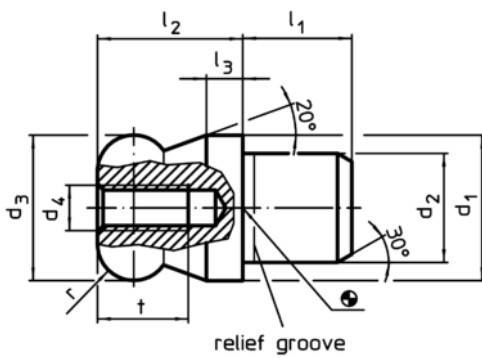
### Product Description

Ball ended locating pins facilitate easy inserting and removing avoiding clamping inclination.

### Material

- Stainless steel 1.4305, ground, surface heat-treated

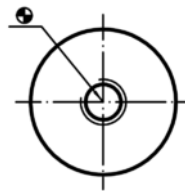
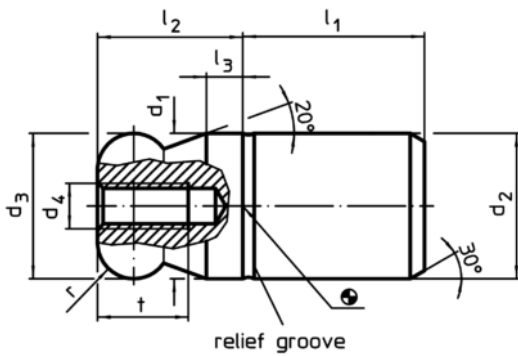
### Drawing



picture 1



picture 2



picture 3



picture 4

### Order information

d <sub>1</sub>	d <sub>2</sub>	d <sub>3</sub>	d <sub>4</sub>	Dimensions						Location hole H7	[g]	Art. No.		
				l <sub>1</sub>	l <sub>2</sub>	l <sub>3</sub>	t	r	b					
g6	n6	-0,01 -0,05									[mm]	[mm]	[g]	
with ball end flattened – picture 2, Stainless steel														
16	12	16	M5	12	16	4	10	4	4,3	12	25	22630.0456		

Application example

