

## Locating Pins with ball end

22630.0452



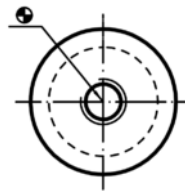
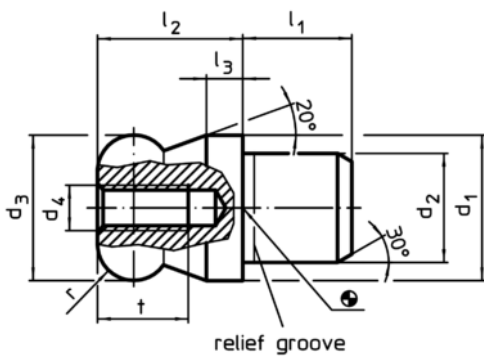
### Product Description

Ball ended locating pins facilitate easy inserting and removing avoiding clamping inclination.

### Material

- Stainless steel 1.4305, ground, surface heat-treated

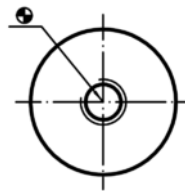
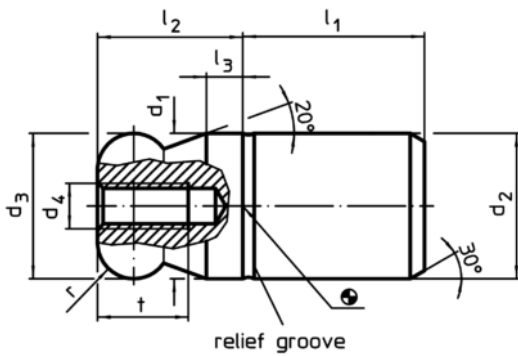
### Drawing



picture 1



picture 2



picture 3



picture 4

### Order information

d <sub>1</sub>	d <sub>2</sub>	d <sub>3</sub>	d <sub>4</sub>	Dimensions						Location hole H7	[g]	Art. No.	
				l <sub>1</sub>	l <sub>2</sub>	l <sub>3</sub>	t	r	b				
g6	n6	-0,01 -0,05									[mm]	[g]	
with ball end flattened – picture 2, Stainless steel													
12	8	12	M4	8	12	3	8	3	2,5	8	8	22630.0452	

Application example

