

Locating Pins with ball end

22630.0450



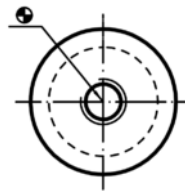
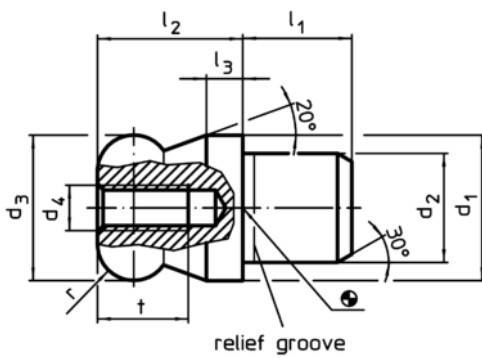
Product Description

Ball ended locating pins facilitate easy inserting and removing avoiding clamping inclination.

Material

- Stainless steel 1.4305, ground, surface heat-treated

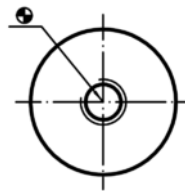
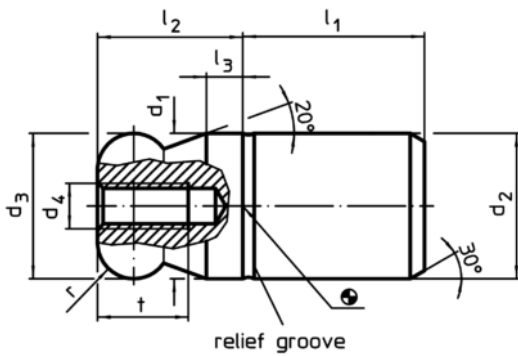
Drawing



picture 1



picture 2



picture 3



picture 4

Order information

Dimensions										Location hole	Art. No.	
d ₁	d ₂	d ₃	d ₄	l ₁	l ₂	l ₃	t	r	b	H7		
g6	n6	-0,01 -0,05										
[mm]										[mm]	[g]	
with ball end flattened – picture 2, Stainless steel												
10	7	10	M3	7	10	2,5	6	2,5	2,5	7	5	22630.0450

Application example

