

Locating Pins with ball end

22630.0425



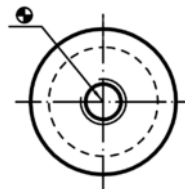
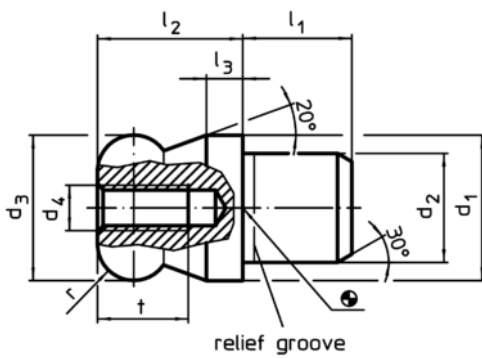
Product Description

Ball ended locating pins facilitate easy inserting and removing avoiding clamping inclination.

Material

- Tool steel, hardened, blackened and ground

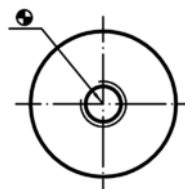
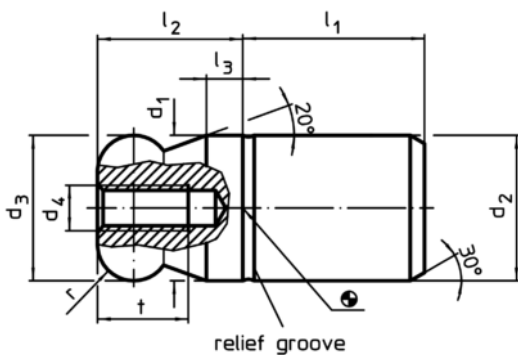
Drawing



picture 1



picture 2



picture 3



picture 4

Order information

d ₁	d ₂	d ₃	d ₄	Dimensions						Location hole H7		Art. No.	
				l ₁	l ₂	l ₃	t	r	b				
g6	n6	-0,01 -0,05											
												[g]	
with ball end flattened – picture 2, Tool steel													
25	18	25	M5	18	25	6	10	6	5,6	18	92	22630.0425	

