

Locating Pins with ball end

22630.0422



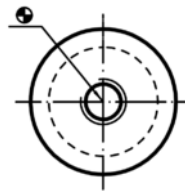
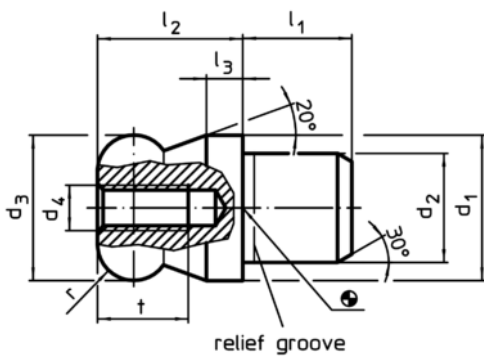
Product Description

Ball ended locating pins facilitate easy inserting and removing avoiding clamping inclination.

Material

- Tool steel, hardened, blackened and ground

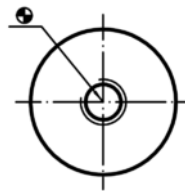
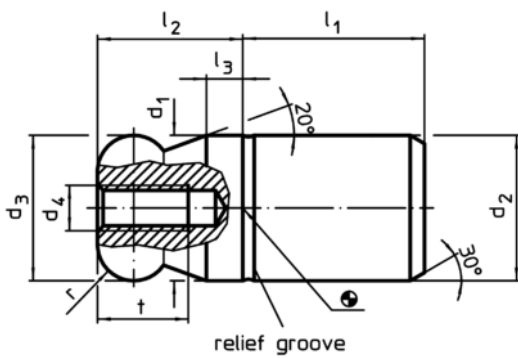
Drawing



picture 1



picture 2



picture 3



picture 4

Order information

Dimensions										Location hole	Art. No.	
d ₁	d ₂	d ₃	d ₄	l ₁	l ₂	l ₃	t	r	b	H7		[g]
g6	n6	-0,01 -0,05										
[mm]										[mm]		
with ball end flattened – picture 2, Tool steel												
22	16	22	M5	16	22	5,5	10	5,5	5	16	63	22630.0422

Application example

