

## Locating Pins with ball end

22630.0420



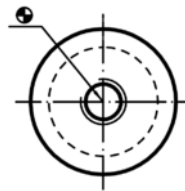
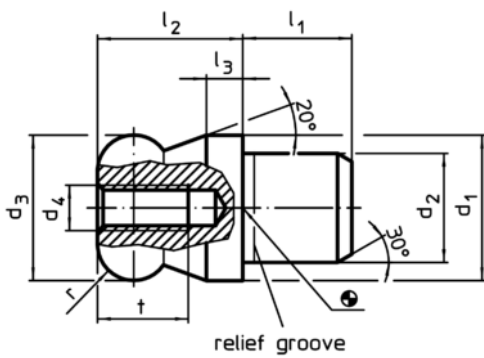
### Product Description

Ball ended locating pins facilitate easy inserting and removing avoiding clamping inclination.

### Material

- Tool steel, hardened, blackened and ground

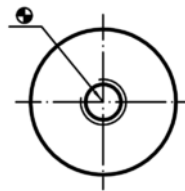
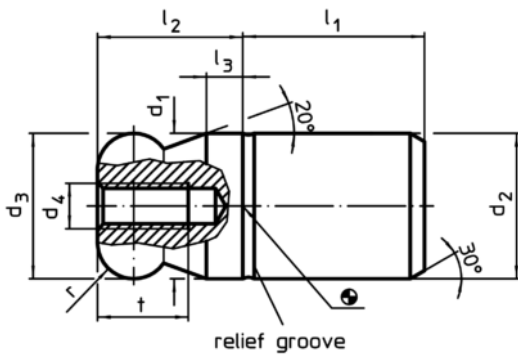
### Drawing



picture 1



picture 2



picture 3



picture 4

### Order information

d <sub>1</sub>	d <sub>2</sub>	d <sub>3</sub>	d <sub>4</sub>	Dimensions						Location hole H7	[g]	Art. No.
				l <sub>1</sub>	l <sub>2</sub>	l <sub>3</sub>	t	r	b			
g6	n6	-0,01 -0,05		[mm]	[mm]	[mm]	[mm]	[mm]	[mm]	[mm]	[g]	
with ball end flattened – picture 2, Tool steel												
20	14	20	M5	14	20	5	10	5	5	14	46	22630.0420

Application example

