

Locating Pins with ball end

22630.0416



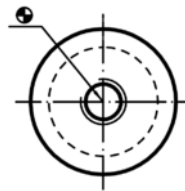
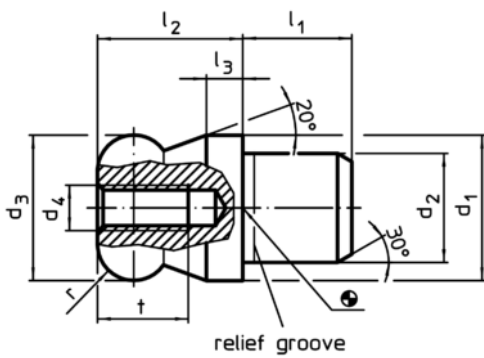
Product Description

Ball ended locating pins facilitate easy inserting and removing avoiding clamping inclination.

Material

- Tool steel, hardened, blackened and ground

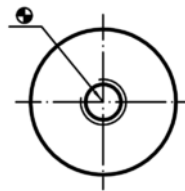
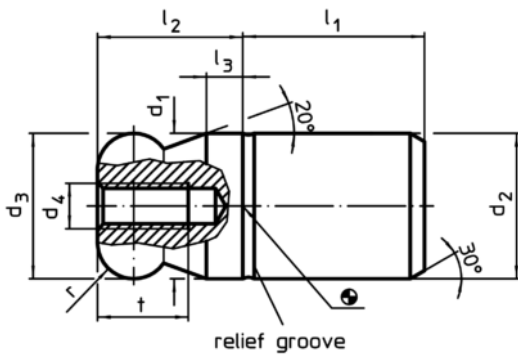
Drawing



picture 1



picture 2



picture 3



picture 4

Order information

d ₁	d ₂	d ₃	d ₄	Dimensions						Location hole H7	[g]	Art. No.	
				l ₁	l ₂	l ₃	t	r	b				
g6	n6	-0,01 -0,05											
[mm]													
with ball end flattened – picture 2, Tool steel													
16	12	16	M5	12	16	4	10	4	4,3	12	25	22630.0416	

Application example

