

Locating Pins with ball end

22630.0412



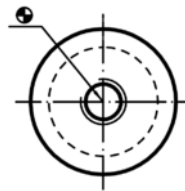
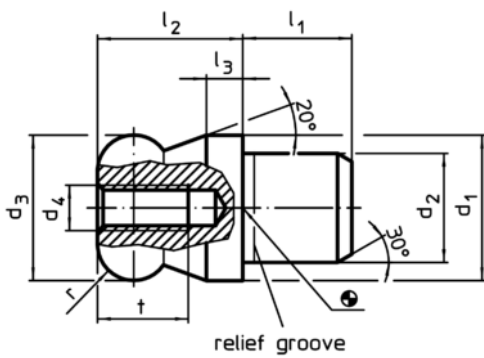
Product Description

Ball ended locating pins facilitate easy inserting and removing avoiding clamping inclination.

Material

- Tool steel, hardened, blackened and ground

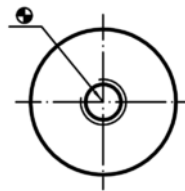
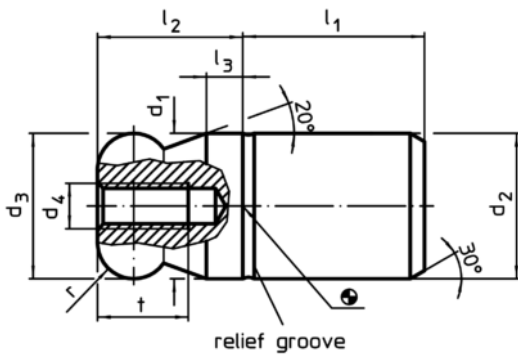
Drawing



picture 1



picture 2




picture 3



picture 4

Order information

d ₁	d ₂	d ₃	d ₄	Dimensions						Location hole H7		Art. No.
				l ₁	l ₂	l ₃	t	r	b			
g6	n6	-0,01 -0,05		[mm]						[mm]	[g]	
with ball end flattened – picture 2, Tool steel												
12	8	12	M4	8	12	3	8	3	2,5	8	8	22630.0412

Application example

