

## Locating Pins with ball end

22630.0410



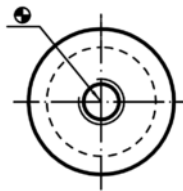
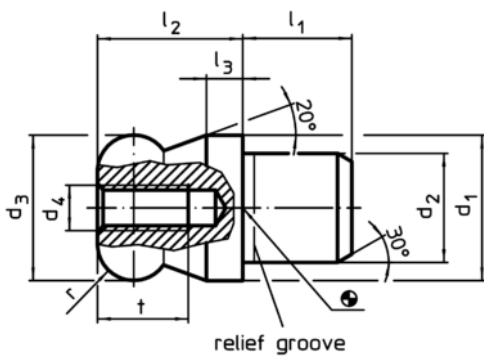
### Product Description

Ball ended locating pins facilitate easy inserting and removing avoiding clamping inclination.

### Material

- Tool steel, hardened, blackened and ground

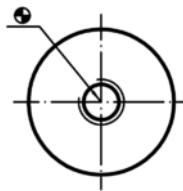
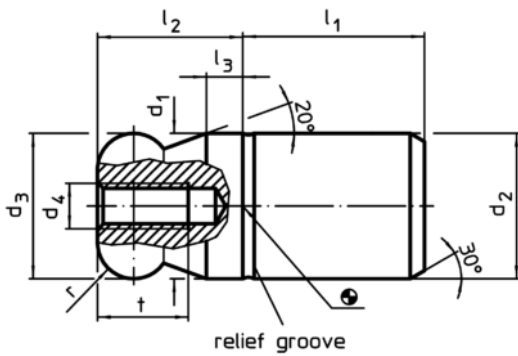
### Drawing



picture 1



picture 2



picture 3



picture 4

### Order information

Dimensions										Location hole		Art. No.
d <sub>1</sub>	d <sub>2</sub>	d <sub>3</sub>	d <sub>4</sub>	l <sub>1</sub>	l <sub>2</sub>	l <sub>3</sub>	t	r	b	H7	[g]	
g6	n6	-0,01 -0,05			[mm]					[mm]		
with ball end flattened – picture 2, Tool steel												
10	7	10	M3	7	10	2,5	6	2,5	2,5	7	5	22630.0410

Application example

