

Locating Pins with ball end

22630.0356



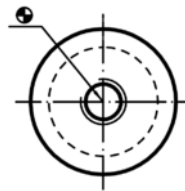
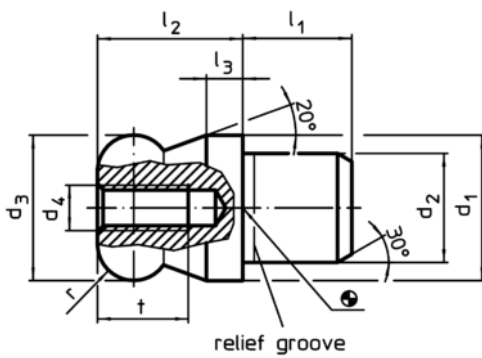
Product Description

Ball ended locating pins facilitate easy inserting and removing avoiding clamping inclination.

Material

- Stainless steel 1.4305, ground, surface heat-treated

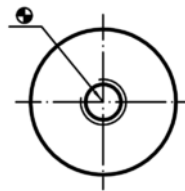
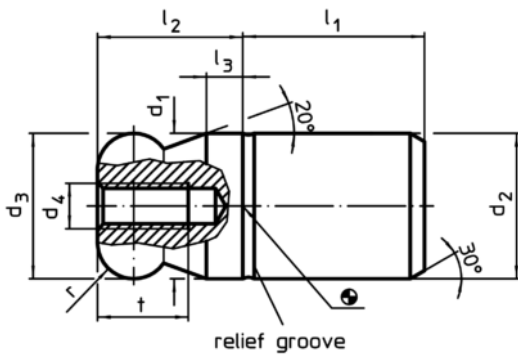
Drawing



picture 1



picture 2



picture 3



picture 4

Order information

Dimensions										Location hole	[g]	Art. No.	
d ₁	d ₂	d ₃	d ₄	l ₁	l ₂	l ₃	t	r	H7				
g6	n6	-0,01 -0,05											
[mm]										[mm]			
with ball end plain – picture 1, Stainless steel													
16	12	16	M5	12	16	4	10	4	12	31	22630.0356		

Application example

