

Locating Pins with ball end

22630.0352



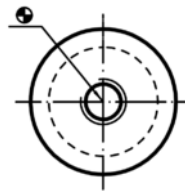
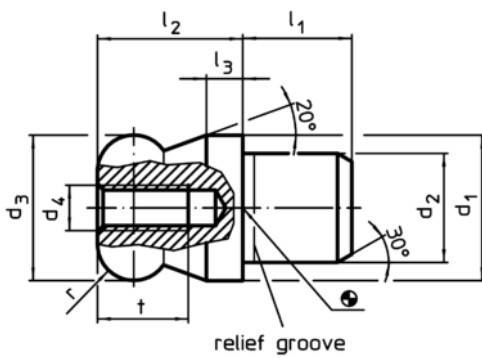
Product Description

Ball ended locating pins facilitate easy inserting and removing avoiding clamping inclination.

Material

- Stainless steel 1.4305, ground, surface heat-treated

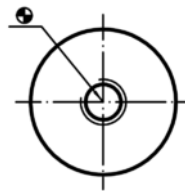
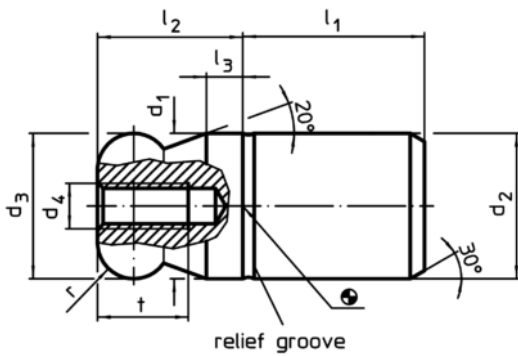
Drawing



picture 1



picture 2



picture 3



picture 4

Order information

Dimensions										Location hole	Art. No.	
d ₁	d ₂	d ₃	d ₄	l ₁	l ₂	l ₃	t	r	H7	[g]		
g6	n6	-0,01 -0,05								[mm]	[g]	22630.0352
with ball end plain – picture 1, Stainless steel												
12	8	12	M4	8	12	3	8	3		8	11	

Application example

