

Locating Pins with ball end

22630.0350



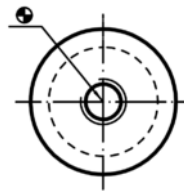
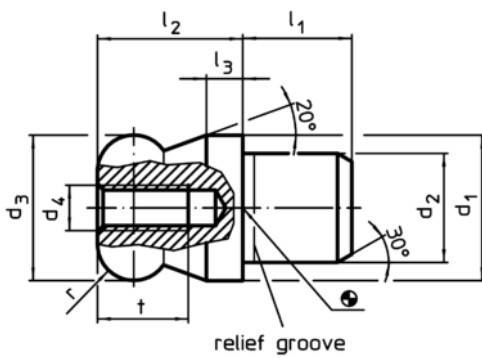
Product Description

Ball ended locating pins facilitate easy inserting and removing avoiding clamping inclination.

Material

- Stainless steel 1.4305, ground, surface heat-treated

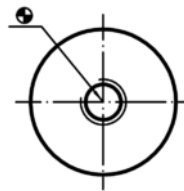
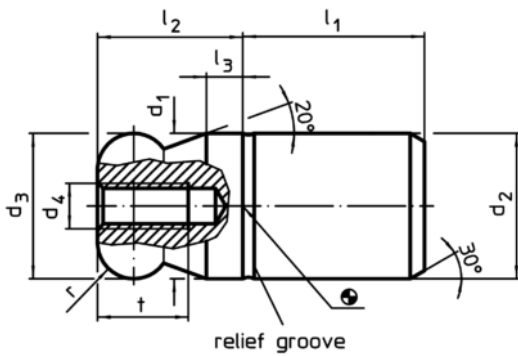
Drawing



picture 1



picture 2



picture 3



picture 4

Order information

d ₁	d ₂	d ₃	d ₄	Dimensions						Location hole H7	[g]	Art. No.	
				l ₁	l ₂	l ₃	t	r	[mm]				
g6	n6	-0,01 -0,05											
with ball end plain – picture 1, Stainless steel													
10	7	10	M3	7	10	2,5	6	2,5	7	7		22630.0350	

Application example

