

## Locating Pins with ball end

22630.0322



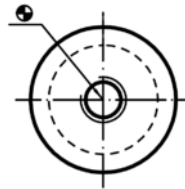
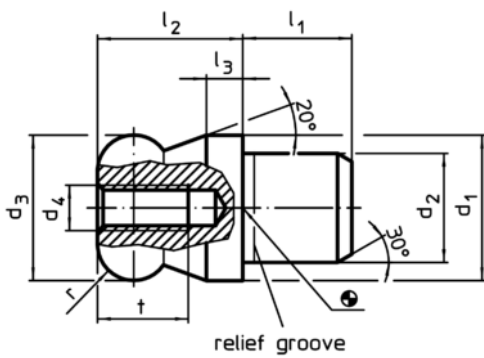
### Product Description

Ball ended locating pins facilitate easy inserting and removing avoiding clamping inclination.

### Material

- Tool steel, hardened, blackened and ground

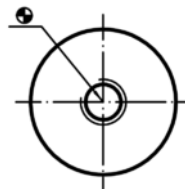
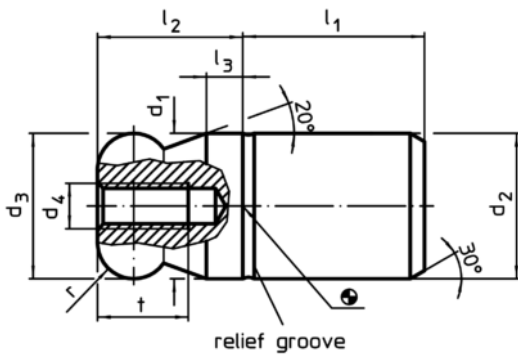
### Drawing



picture 1



picture 2




picture 3



picture 4

### Order information

d <sub>1</sub>	d <sub>2</sub>	d <sub>3</sub>	d <sub>4</sub>	Dimensions					Location hole H7		Art. No.
				l <sub>1</sub>	l <sub>2</sub>	l <sub>3</sub>	t	r			
g6	n6	-0,01 -0,05		[mm]					[mm]	[g]	
<b>with ball end plain – picture 1, Tool steel</b>											
22	16	22	M5	16	22	5,5	10	5,5	16	81	22630.0322

Application example

