

Locating Pins with ball end

22630.0320



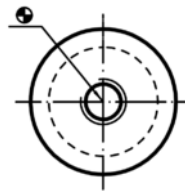
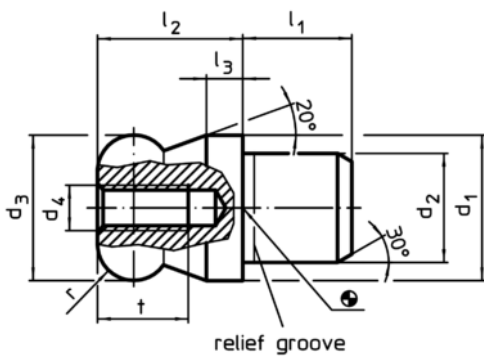
Product Description

Ball ended locating pins facilitate easy inserting and removing avoiding clamping inclination.

Material

- Tool steel, hardened, blackened and ground

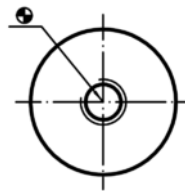
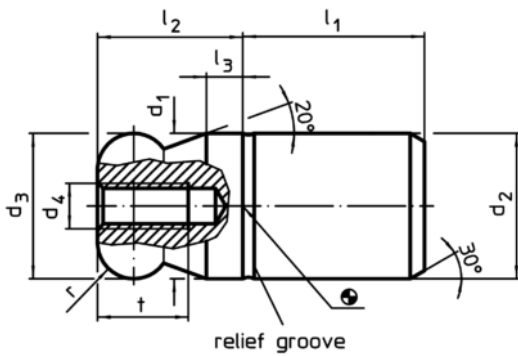
Drawing



picture 1



picture 2



picture 3



picture 4

Order information

Dimensions										Location hole	[g]	Art. No.	
d ₁	d ₂	d ₃	d ₄	l ₁	l ₂	l ₃	t	r	H7				
g6	n6	-0,01 -0,05											
[mm]										[mm]			
with ball end plain – picture 1, Tool steel													
20	14	20	M5	14	20	5	10	5	14	58	22630.0320		

Application example

