

## Locating Pins with ball end

22630.0316



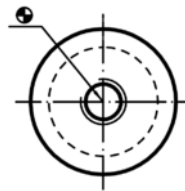
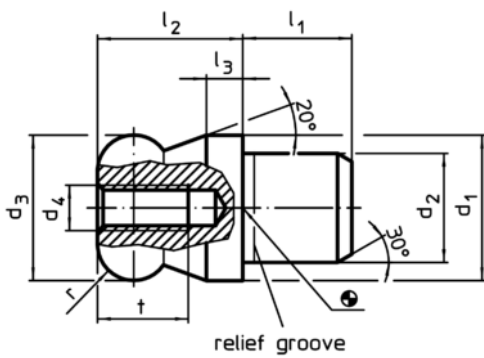
### Product Description

Ball ended locating pins facilitate easy inserting and removing avoiding clamping inclination.

### Material

- Tool steel, hardened, blackened and ground

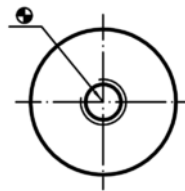
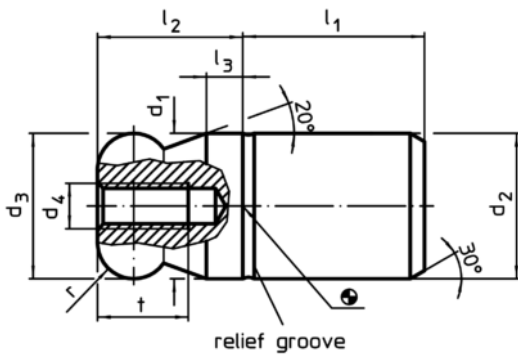
### Drawing



picture 1



picture 2



picture 3



picture 4

### Order information

Dimensions										Location hole	[g]	Art. No.	
d <sub>1</sub>	d <sub>2</sub>	d <sub>3</sub>	d <sub>4</sub>	l <sub>1</sub>	l <sub>2</sub>	l <sub>3</sub>	t	r	H7				
g6	n6	-0,01 -0,05											
[mm]										[mm]			
with ball end plain – picture 1, Tool steel													
16	12	16	M5	12	16	4	10	4	12	31	22630.0316		

Application example

