

## Locating Pins with ball end

22630.0312



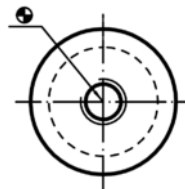
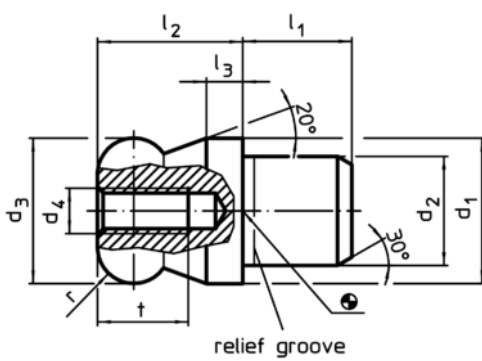
### Product Description

Ball ended locating pins facilitate easy inserting and removing avoiding clamping inclination.

### Material

- Tool steel, hardened, blackened and ground

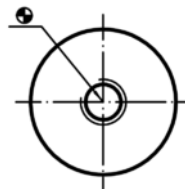
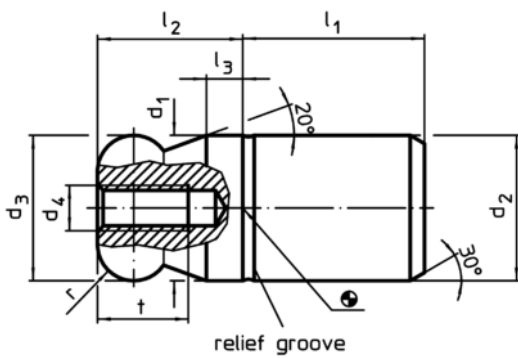
### Drawing



picture 1



picture 2



picture 3



picture 4

### Order information

| Dimensions                                  |                |                |                |                |                |                |   |   |    | Location hole | Art. No. |            |
|---|----------------|----------------|----------------|----------------|----------------|----------------|---|---|----|---------------|----------|------------|
| d <sub>1</sub>                              | d <sub>2</sub> | d <sub>3</sub> | d <sub>4</sub> | l <sub>1</sub> | l <sub>2</sub> | l <sub>3</sub> | t | r | H7 | [g]           |          |            |
| g6  | n6             | -0,01<br>-0,05 |                |                |                |                |   |   |    | [mm]          | [g]      | 22630.0312 |
| with ball end plain – picture 1, Tool steel |                |                |                |                |                |                |   |   |    |               |          |            |
| 12  | 8              | 12             | M4             | 8              | 12             | 3              | 8 | 3 | 8  | 11            |          |            |

Application example

