

Locating Pins with ball end

22630.0310



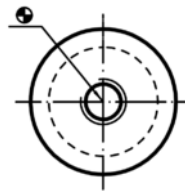
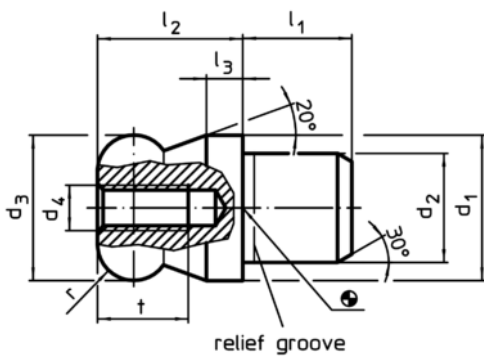
Product Description

Ball ended locating pins facilitate easy inserting and removing avoiding clamping inclination.

Material

- Tool steel, hardened, blackened and ground

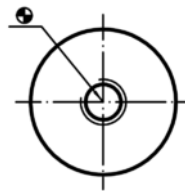
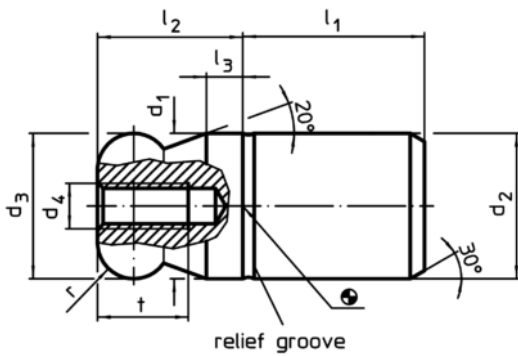
Drawing



picture 1



picture 2




picture 3



picture 4

Order information

d ₁	d ₂	d ₃	d ₄	Dimensions						Location hole H7		Art. No.
				l ₁	l ₂	l ₃	t	r				
g6	n6	-0,01 -0,05		[mm]						[mm]	[g]	
with ball end plain – picture 1, Tool steel												
10	7	10	M3	7	10	2,5	6	2,5	7	7	22630.0310	

Application example

